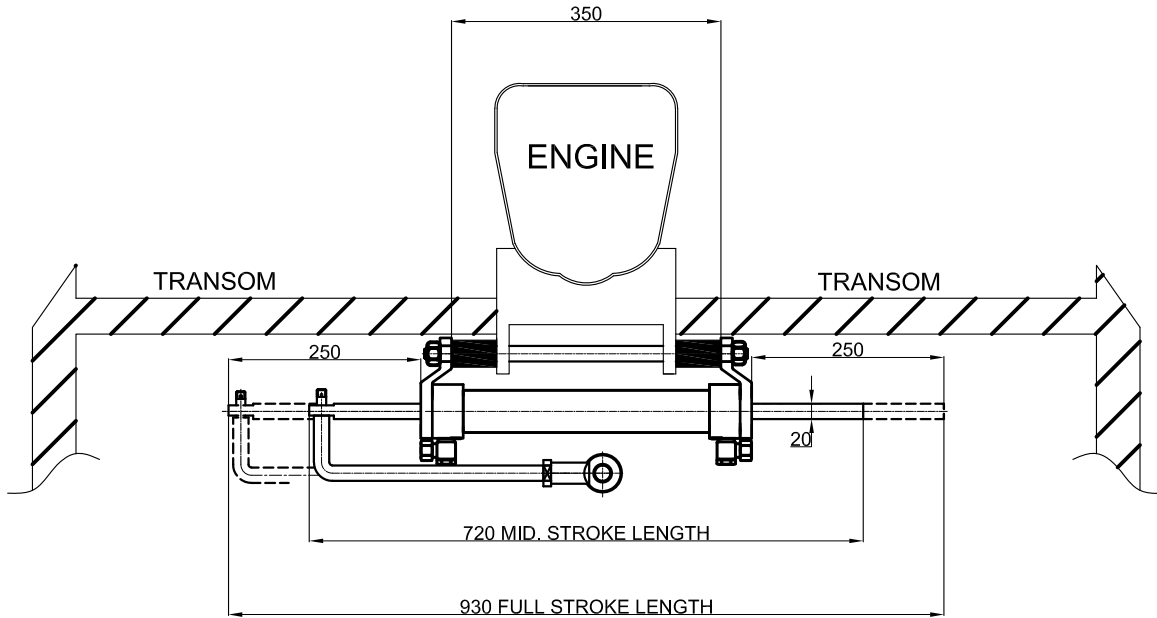




# MOUNTING AREA DETAILS OF RAPID EMPEROR

Rev: 0 0



## SPECIFICATIONS:

TOTAL STROKE LENGTH : 210 MM

TOTAL END TO END DISTANCE TRAVELLED BY  
PISTON ROD IN BOTH STROKE : 930 MM

MAC ♦ N ♦ HOM SYSTEMS KOCHI - 20	DESIGNATION	DWG. No.	DATE
	RAPID EMPEROR MOUNTING	MHS-1805	20-06-22